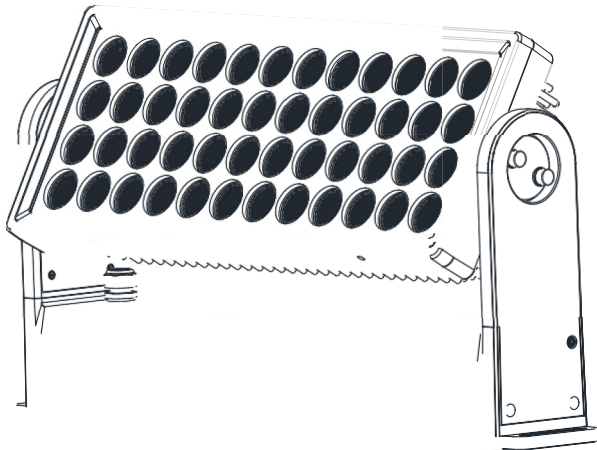


User Manual

Colour Ranger 48 LEDWSH482






WARNING! Before carrying out any operations with the unit, carefully read this instruction manual and keep it for future reference. It contains important information about the installation, usage and maintenance of the unit.



SAFETY

General instruction

- The products referred to in this manual conform to the European Community Directives and are therefore marked with CE.
- The unit is supplied with hazardous network voltage (230V~). Leave servicing to skilled personnel only. Never make any modifications on the unit not described in this manual, otherwise you will risk an electric shock.
- Connection must be made to power supply system fitted with efficient earthing (Class I appliance according to standard EN60598-1). It is recommended to protect the supply lines of the units from indirect contact and/or shorting to earth by using appropriately sized residual current devices.
- The connection to the main network of electric distribution must be carried out by a qualified electrical installer. Check that the main frequency and voltage correspond to those for which the unit is designed as given on the electrical data table.
- This unit is not for home use, only professional applications.
- Never use the fixture under the following conditions:
 - in places subject to vibrations or bumps.
 - in places with a temperature of over 40°C.
- Make certain that no inflammable liquids, water or metal objects enter the fixture.
- Do not dismantle or modify the fixture.
- All work must always be carried out by qualified technical personnel. Contact the nearest sales point for an inspection.
- If the unit is to be put out of operation definitively, take it to a local recycling  plant for disposal which is not harmful to the environment.

Warnings and installation precautions

- If this device will be operated in any way different to the one described in this manual, it may suffer damage and warranty will be voided. Furthermore, any operation may lead to dangers like short circuit, burns, electric shock, etc.
- Before starting any maintenance work or cleaning of the fixture, unplug the unit from the main supply.
- Always additionally secure the fixture with the correctly rated safety cable. When carrying out any work, always comply with local regulations (particularly regarding safety) currently in force in the country and state that the fixture's being used.
- Install the fixture in a well-ventilated place.
- Keep any inflammable materials at a safe distance from the fixture.
- Shields, lenses or ultraviolet screens shall be changed if they have become damaged to such an extent that their effectiveness is impaired.
- The lamp (LED) shall be changed if it has become damaged or thermally deformed.
- Never look directly at the light source. Please note that fast changes in lighting or flashing light may trigger epileptic seizures for photosensitive persons or persons with epilepsy.
- Do not touch the product's housing when operating because it may be very hot.

INTRODUCTION

The Colour Ranger Q48A is an RGBW IP65-rated wash light with an advanced thermal (fan less) design.

FEATURES

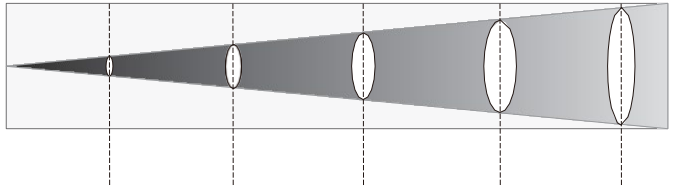
- 48 x 13.8W RGBW LEDs deliver 23K lumens of perfectly blended colour
- 4 zone independent control of horizontal sections
- Selectable LED modulation for flicker-free output from 600Hz ~ 25kHz
- Ultra-linear dimming technology for flawless colour mixing
- Robust die-cast body and tempered glass front panel
- Virtual colour wheel and white presets from 2800 ~ 10,000K
- Four selectable dimmer curve modes
- Available optics: 8°, 15°, 25°, 45°
- RDM, DMX and W-DMX wireless control

SPECIFICATIONS

Light Source :	48 x 13.8W RGBW LEDs
LED Lifespan:	Over 20K hrs
Beam Angle:	8°
Field Angle:	21°
Output(lumens):	25000 lm
Output(lux):	38300 lx @ 5m
Colour Mixing:	RGBW
Colour Temperature:	6500K
Strobe:	1-30Hz
LED Frequency:	600Hz/1200Hz/2000Hz/4000Hz/6000Hz/25KHz
Dimming:	4 dimming curve modes
Control:	RDM,DMX and W-DMX(optional)
DMX Channels:	4/6/10/16
Power Linking:	2units @120V,5units@ 230V
Mains:	100-240VAC,50/60Hz
Consumption:	460W@230V / 490W@120V
Power Connections:	IP66
Data Connections:	5 pin XLR In/Out for DMX
Housing:	Die-cast aluminium, tempered glass
Tilt Angle:	130°(manual)
Finish:	Grey
IP Rating:	IP66
Ambient Tempt.	-20 to 45°C
Cooling:	Passive
Dimension:	584 x 93 x 304 mm
Weight:	12.9KG

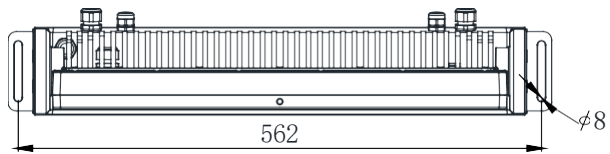
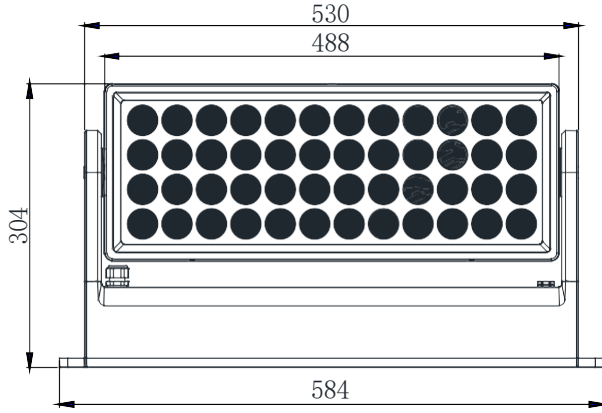
PHOTOMETRICS

Beam Angle 8°

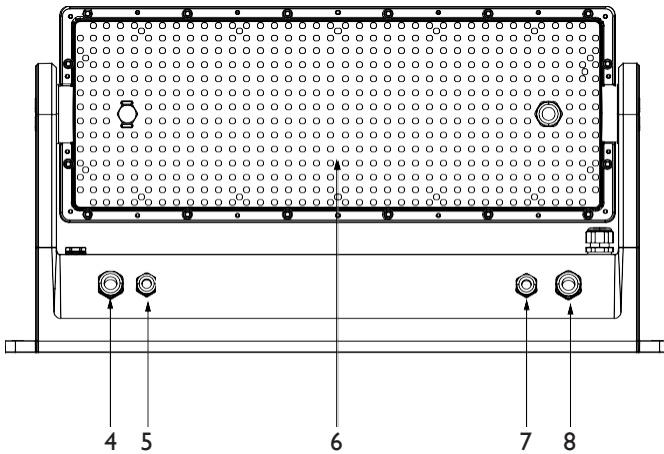
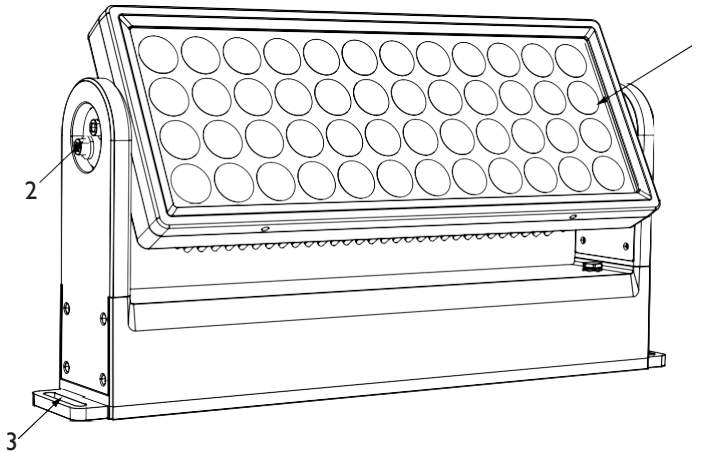


	Distance(m)	1m	3m	5m	7m	10m
Output(Lux)	R	63900	7100	2560	1300	640
	G	126900	14100	5080	2590	1270
	B	21150	2350	850	430	2120
	W	136800	15200	5470	2790	1370
	ALL	344700	38300	13790	7040	3450

DIMENSION



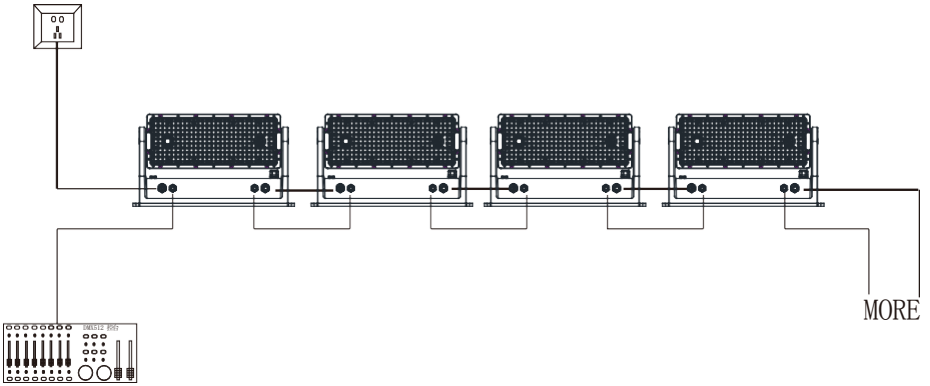
OVERVIEW



1. LED panel
2. MECHANICAL SYSTEM for individual positioning of LED panels
3. HOLES for fixing to the ground
4. POWER IN: for connection to a socket
5. DMX IN (5-pole XLR): 1 = ground, 2 = DMX-, 3 = DMX+, 4 N/C, 5 N/C.
6. HEATSINK
7. DMX OUT (5-pole XLR): 1 = ground, 2 = DMX-, 3 = DMX+, 4 N/C, 5 N/C.
8. POWER OUT: connect to supply power to the next unit.

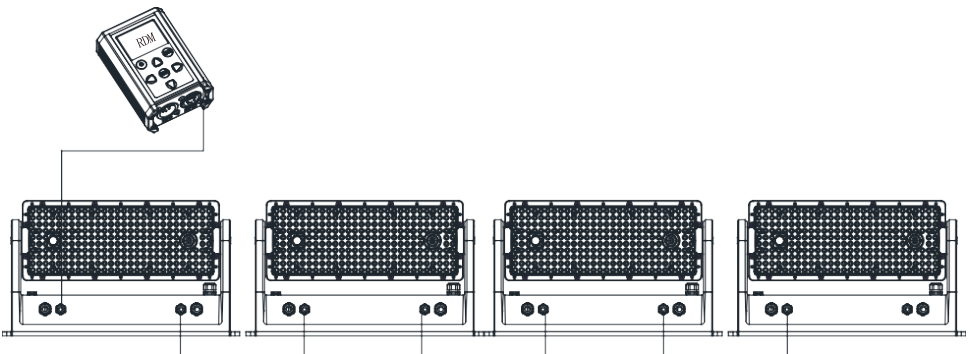
(100-240V~/50-60Hz) via the supplied mains cable

DMX/Power Connections and DMX address code setting



DMX MODE	1st Fixture	2nd Fixture	3rd Fixture	4th Fixture
4 channels	001	005	009	013
6 channels	001	007	013	019
10 channels	001	011	021	031
16 channels	001	017	033	049

RDM CONNECTIONS

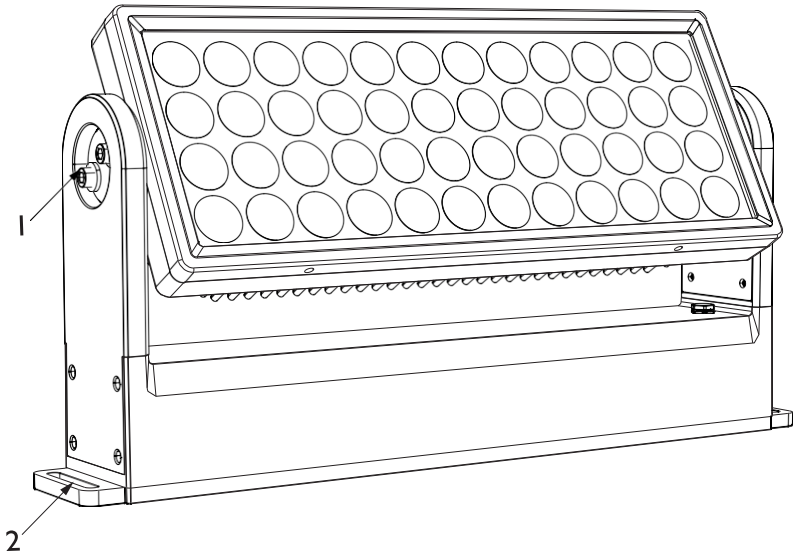


INSTALLATION

The Colour Ranger Q48A may be set up on a solid and even surface using the fastening devices of the base (2).

Stable mounting clips are required for fixing.

Also make sure to comply with all safety warnings.



RDM Function

#	Main Menu	Menu level 2	Menu level 3	Remark
1	DMX address	1		Default : 1
2	DMX MODE	4CH		Default : 10CH
		6CH		
		10CH		
		16CH		
3	Dimmer Mode	Off		Default : Off
		Dimmer1		
		Dimmer2		
		Dimmer3		
4	LED Frequency	600Hz		Default:1200Hz
		1200Hz		
		2000Hz		
		4000Hz		
		6000Hz		
		25kHZ		
5	Specific PIDS	8200 (Red)		White Balance
		8201 (Green)		
		8202 (Blue)		
		8203 (White)		
		8026 (Clear Device Hours)		
		8212 (W-DMX On/Off)	0:Off 1:On	0:Off
		8215 (Receive Reset No/Yes)	0:No 1:Yes	0:No

DMX Chart

4CH	Function	Value	Percent/Setting	Remark
1	Red	000-255	0~100%	
2	Green	000-255	0~100%	
3	Blue	000-255	0~100%	
4	White	000-255	0~100%	

6CH	Function	Value	Percent/Setting	Remark
1	Dimmer	000-255	0~100%	
2	Red	000-255	0~100%	
3	Green	000-255	0~100%	
4	Blue	000-255	0~100%	
5	White	000-255	0~100%	
6	Strobe	000-010	NO Function	
		011-255	Strobe Slow to Fast	

10CH	Function	Value	Percent/Setting	Remark
1	Dimmer	000-255	0~100%	
2	Red	000-255	0~100%	
3	Green	000-255	0~100%	
4	Blue	000-255	0~100%	
5	White	000-255	0~100%	
6	Strobe	000-010	No function	
		011-255	Strobe slow to fast	
7	Colour Macro	000~010	No Function	
		011~030	R 100% G 0~100% B 0%	
		031~050	R 100%~0% G 100% B 0%	
		051~070	R 0% G 100% B 0~100%	

7	Colour Macro	071~090	R 0% G 100%~0% B 100%
		091~110	R 0%~100% G 0% B 100%
		111~130	R 100% G 0% B 100%~0%
		131~150	R 100% G 0%~100% B 0%~100%
		151~170	R 100%~0% G 100%~0% B 100%
		171~200	R 100% G 100% B 100% W100%
		201~205	Colour1
		206~210	Colour2
		211-215	Colour3
		216-220	Colour4
		221-225	Colour5
		226-230	Colour6
		231-235	Colour7
		236-240	Colour8
		241-245	Colour9
246-250	Colour10		
251-255	Colour11		
8	Effects	000-010	No Function
		011-037	Effect 1
		038-064	Effect 2
		065-091	Effect 3
		092-118	Effect4
		119-145	Effect5 (Effects1- 4)
		146-172	Effect 6
		173-199	Effect 7
		200-226	Effect 8
		227-255	Effect 9 (Effects6- 8)
9	Effects speed	000-255	Effects speed slow to fast

10	Dimmer Speed Mode	000-051	Preset dimmer speed from display menu	
		052-101	Dimmer speed mode off	
		102-152	Dimmer speed mode1 (fast speed)	
		153-203	Dimmer speed mode2 (middle speed)	
		204-255	Dimmer speed mode3 (slow speed)	

16CH	Function	Value	Percent/Setting	Remark
1	Red 1	000-255	0~100%	
2	Green 1	000-255	0~100%	
3	Blue 1	000-255	0~100%	
4	White 1	000-255	0~100%	
5	Red 2	000-255	0~100%	
6	Green 2	000-255	0~100%	
7	Blue 2	000-255	0~100%	
8	White 2	000-255	0~100%	
9	Red 3	000-255	0~100%	
10	Green 3	000-255	0~100%	
11	Blue 3	000-255	0~100%	
12	White 3	000-255	0~100%	
13	Red 4	000-255	0~100%	
14	Green 4	000-255	0~100%	
15	Blue 4	000-255	0~100%	
16	White 4	000-255	0~100%	

MAINTENANCE

MAINTENANCE AND CLEANING THE UNIT

- Make sure there is no persons under the fixture when installing.
- Switch off the unit, unplug the main cable and wait until the unit has cooled down.
- All screws used for installing the device and any of its parts should be tightly fastened and should not be corroded.
- Housings, fixations and installation spots (ceiling, trusses, suspensions) need to be free from any deformation.
- The main cables must be in impeccable condition and should be replaced immediately when a small defect is detected.
- It is recommended to clean the front lens at regular intervals, from impurities caused by dust, smoke or other particles to ensure that the light performs at maximum brightness. For cleaning, disconnect the main plug from the socket. Use a soft, clean cloth moistened with a mild detergent. Then carefully wipe the fixture dry. For cleaning other housing parts use only a soft, clean cloth. Never use a liquid, it might penetrate the unit and cause damage to it.

TROUBLESHOOTING

Problems	Possible causes	Checks and remedies
Fixture does not light up	<ul style="list-style-type: none">• No mains supply• Dimmer fader set to 0• Faulty LED• Faulty LED board	<ul style="list-style-type: none">• Check the power supply voltage• Increase the value of the dimmer channels• Replace the LED board• Replace the LED board
General low light intensity	<ul style="list-style-type: none">• Dirty lens assembly• Misaligned lens assembly	<ul style="list-style-type: none">• Clean the fixture regularly• Install lens assembly properly
Fixture does not power up	<ul style="list-style-type: none">• No power• Loose or damaged power cord• Faulty internal power supply	<ul style="list-style-type: none">• Check for power on power outlet• Check power cord• Replace internal power supply

Contact Show Technology in case of a technical problem and if troubleshooting from the above table can't resolve the issue.